

rock exotica[®]
GEAR FOR THE Z AXIS

TRANSPORTER

GEAR & ACCESSORY

The transPorter is designed as a harness "tool-holder" with a special gate for ease of use and security. The gate is equipped with a manual locking mechanism and "wing" design. The manual locking gate is a dual push button design that you can lock to prevent inadvertently snagging or hooking unwanted items. But you can also leave it unlocked when needed so you are able to remove tools quickly without fumbling to unlock the gate. Unique "wings" on the gate allow the user to single-handedly retrieve and sort gear.

The transPorter attaches semi-permanently to the harness, secured by an aluminum plate with removable screws. The wide plate and rigid frame ensure the transPorter will stay in position when used with small or large tools. Machined from solid aerospace-grade aluminum.



SPECS

Part Number: C5 M
WLL: .23 kN (23 kg), 50 lbs
Non-PPE MBS: 400lbs (1.8kN)
Weight: 3.4oz (95gm)
Max Webbing Height: 2" (5.1cm)

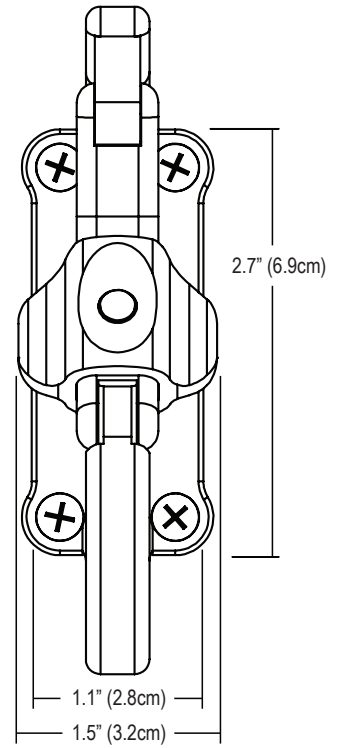
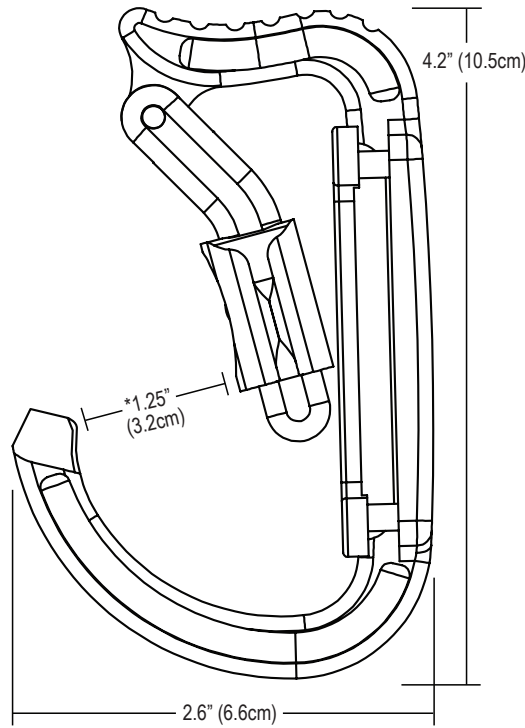
*NOT FOR LIFE SUPPORT

The Transporter is not a connector, and should not be used to connect to a lanyard, or any other life-support attachment. The Transporter is not personal protective equipment (PPE). Avoid connecting accidentally to branches, ropes, cables and other objects.



transPorter

Part Number: C5 M
WLL: .23 kN (23 kg) 50 lbs
Non-PPE MBS: 400lbs (1.8kN)
Weight: 3.4oz (95gm)
Max Webbing Height: 2" (5.1cm)



*Width of gate opening dependent upon thickness of webbing.

